

Screw-in resistance thermometers with lagging tube

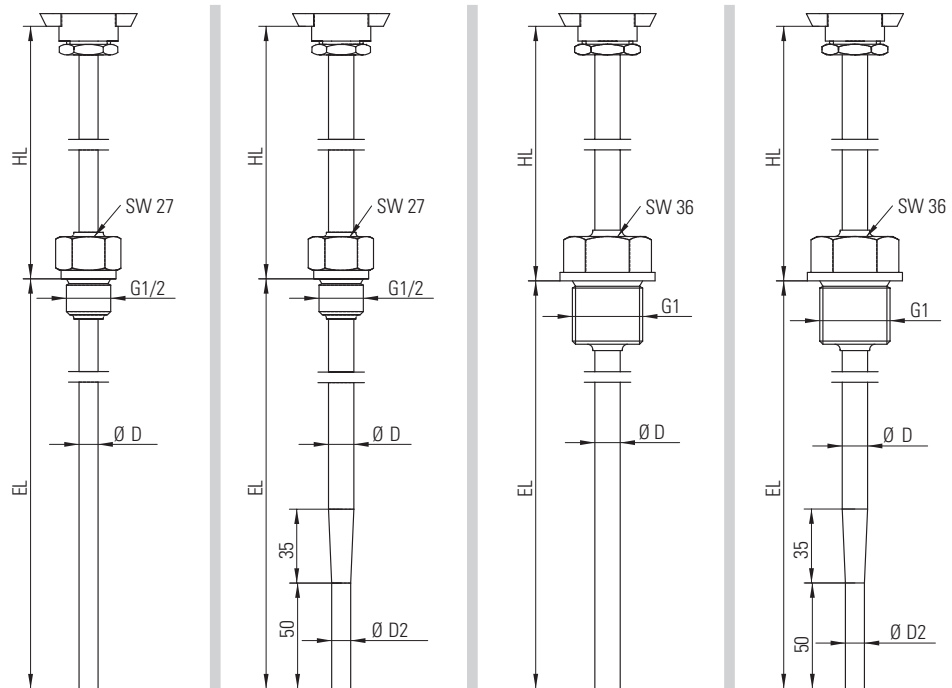


Screw-in resistance thermometers

acc. to DIN 43772

- for insertion in solid, liquid or gaseous media
- for applications requiring measuring head distance for temperature or installation reasons

- fixed installation length
- suitable for overpressure applications
- for moderate mechanical loads
- protective stainless steel sheath 1.4571
- for direct installation in the medium
- cable entry of connecting head alignable



Type	WT-BB	WT-BB (R) Fast reaction	WT-BC	WT-BC (R) Fast reaction
Design acc. to DIN 43772	Form 2G	Form 3G	Form 2G	Form 3G
Fixation	Mounting bush G1/2		Mounting bush G1	
Diameter of thermowell D [D2] (mm)	9/11/12/14	12[9]/14[11]	11/12/14	12[9]/14[11]
Insertion length EL (mm)	160...400	160...280	160...400	160...280
Lagging tube length HL (mm)	145	147	145	147
Operating temperature (°C)	-100 to +500			
Connection head (acc.to DIN)	Form B			
Connection	Ceramic block with bush terminals			
Sensor type and wire connection	Pt 100 for 2-, 3- or 4-wire connection; single or twin			
Accuracy class (acc. to DIN EN 60751)	B			
Measuring insert	Changeable			

Besides the standard versions shown on this page we can also supply specials (dimensions, connection heads, head transmitters, sensors, accuracy classes, vibration resistance, materials, DKD certificates, etc.)